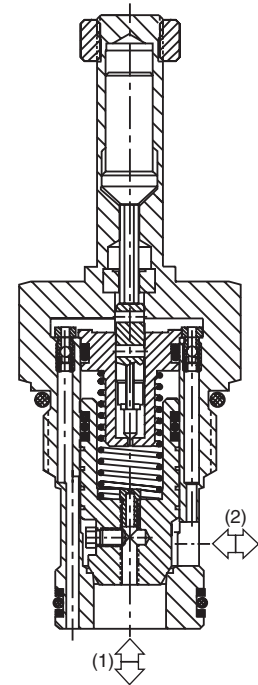
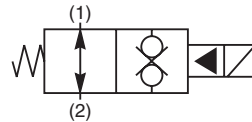


General Description

2-Way, 2 Position, Normally Open, Bi-Directional Poppet Valve. For additional information see Technical Tips on pages SV2-SV6.

Features

- Built-in thermal relief set at 36 Bar (500 PSI) above rated pressure
- One piece cartridge housing ensures internal concentricity
- Coil: Waterproof, hermetically sealed, requires no O'Rings; Coil is interchangeable with 02 and 04 series poppet valves; Symmetrical coil can be reversed without affecting performance.

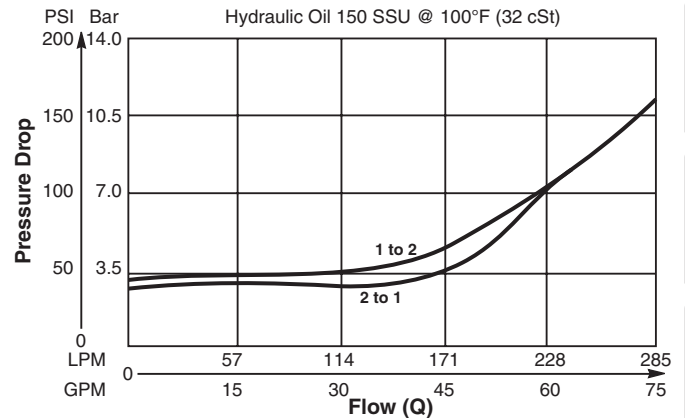


Specifications

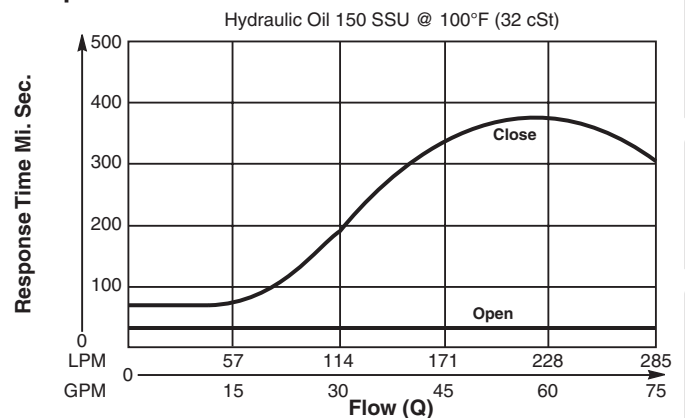
| | |
|-------------------------------|--|
| Rated Flow | 285 LPM (75 GPM) |
| Maximum Inlet Pressure | 86 350 Bar (5000 PSI) |
| Leakage at 150 SSU (32 cSt) | 5 drops/min. (.33 cc/min.) |
| Minimum Operating Voltage | 85% of rated voltage at 20°C (72°F). |
| Response Time | See Performance Curves |
| Cartridge Material | All parts steel. All operating parts hardened steel. |
| Operating Temp. Range/Seals | -34°C to +121°C (Nitrile) (-30°F to +250°F) -26°C to +204°C (Fluorocarbon) (-15°F to +400°F) |
| Fluid Compatibility/Viscosity | Mineral-based or synthetic with lubricating properties at viscosities of 45 to 2000 SSU (6 to 420 cSt) |
| Filtration | ISO 4406 18/16/13, SAE Class 4 |
| Approx. Weight | 0.4 kg (.88 lbs.) |
| Cavity | C16-2 (See BC Section for more details) |

Performance Curves

Pressure Drop vs. Flow (Through cartridge only)

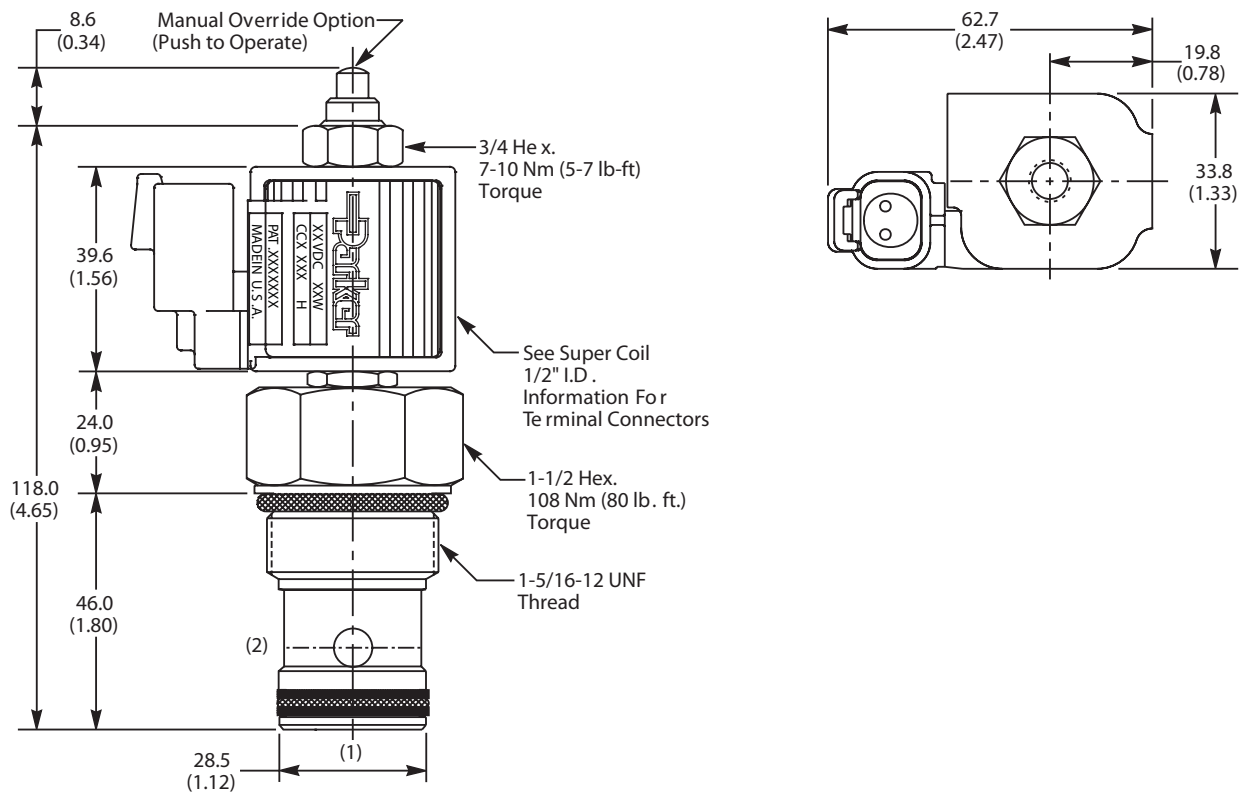


Response Time vs. Flow



- CV**
Check Valves
- SH**
Shuttle Valves
- LM**
Load/Motor Controls
- FC**
Flow Controls
- PC**
Pressure Controls
- LE**
Logic Elements
- DC**
Directional Controls
- SV**
Solenoid Valves
- PV**
Proportional Valves
- CE**
Coils & Electronics
- BC**
Bodies & Cavities
- TD**
Technical Data

Dimensions Millimeters (Inches)



Ordering Information

| | | | | |
|------------------------|---------------------|-----------------|----------|----------|
| GS06 | 86 | | 0 | N |
| 16 Size Solenoid Valve | Style Normally Open | Override Option | Screen | Seals |

Highlighted represents preferred options that offer the shortest lead times. Other options may be available, but at extended lead times.

Coil(s) sold separately. Please see section CE of this catalog, 1/2" Super-Coil (CC series), for ordering information.

| Code | Style |
|------|---------------------------|
| 86 | High Pressure ('SP' Coil) |

| Code | Screen |
|------|--------|
| 0 | None |

| Code | Override Options |
|------|------------------|
| 0 | None |
| 1 | Manual Override |

| Code | Seals |
|------|---------|
| N | Nitrile |

Order Bodies Separately
 See section BC

| | | | | |
|------------|---|--------------|---|------------|
| B16 | - | 2 | - | 16T |
| 16 size | | 2-Way Cavity | | Port Size |

| Code | Port Size / Body Material |
|------|---------------------------|
| 16T | SAE-16 / Steel (5000 PSI) |

| Kit | Part Number |
|-------------------|-------------|
| Nitrile Seal | SK30089N-1 |
| Fluorocarbon Seal | SK30089V-1 |

CV
Check Valves

SH
Shuttle Valves

LM
Load/Motor Controls

FC
Flow Controls

PC
Pressure Controls

LE
Logic Elements

DC
Directional Controls

SV
Solenoid Valves

PV
Proportional Valves

CE
Coils & Electronics

BC
Bodies & Cavities

TD
Technical Data